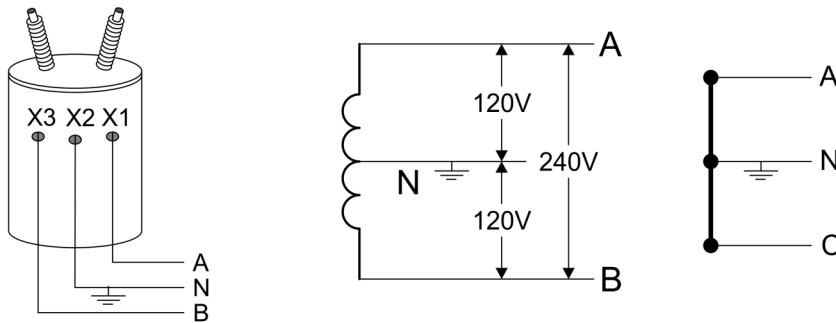


Power Measurements Technical Bulletin

Meter Site Data Sheet Three Wire Single Phase 4S Meter

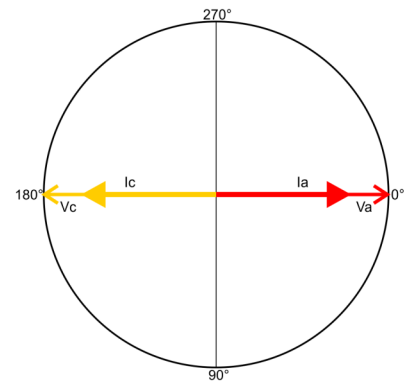
Distribution Transformer Configuration



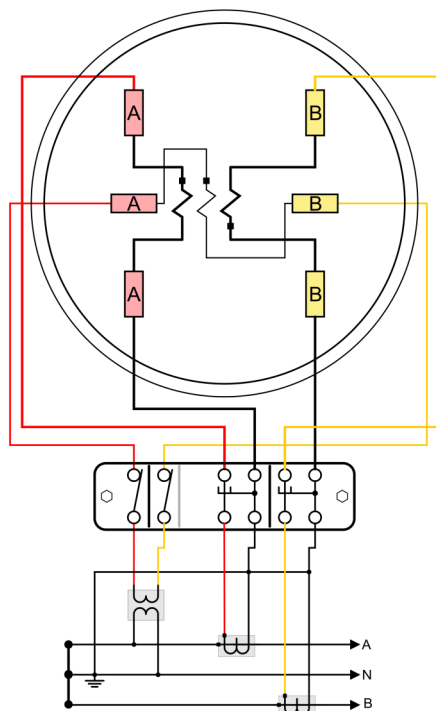
This single phase service is the most common for residential customers. It is also used for small commercial customers. A single center tapped transformer provides two hot lines and a neutral.

Distribution Phasors

Phase	V(p-n)	V ϕ	I(x-y)	I ϕ
A	120	0	Ia	0
B	120	180	Ib	180



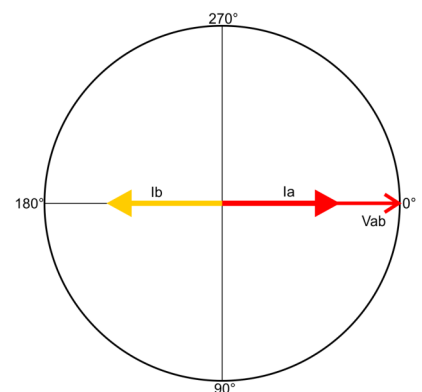
4S Non-Blondel (1V 2I 3W)



$$P = \vec{V}_{ab} \cdot (\vec{I}_a - \vec{I}_b)$$

Meter Phasor

Phase	V(p-n)	V ϕ	I(x-y)	I ϕ
AB	240	0	Ia-Ib	0



The 2S is the most widely used meter in the US.